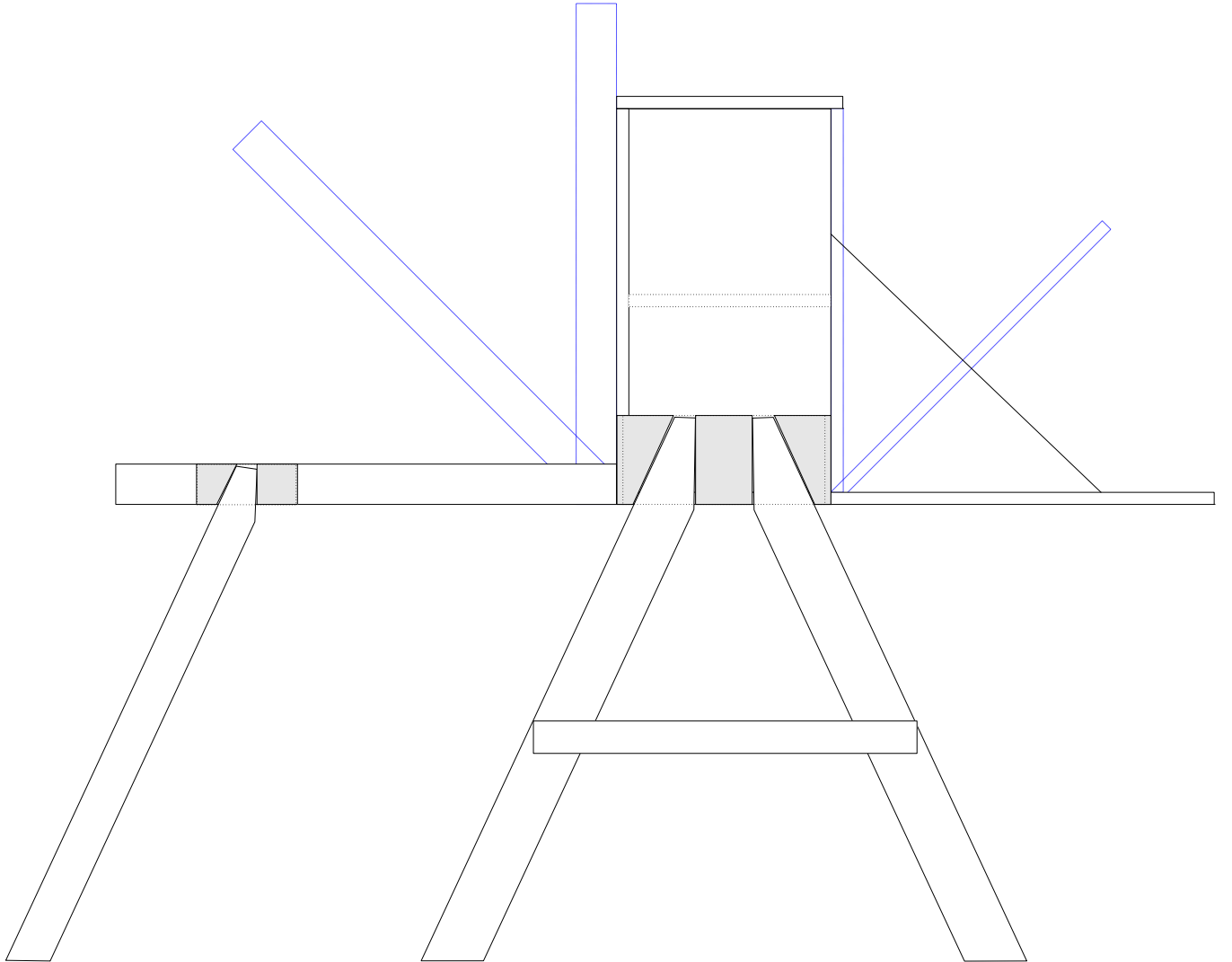
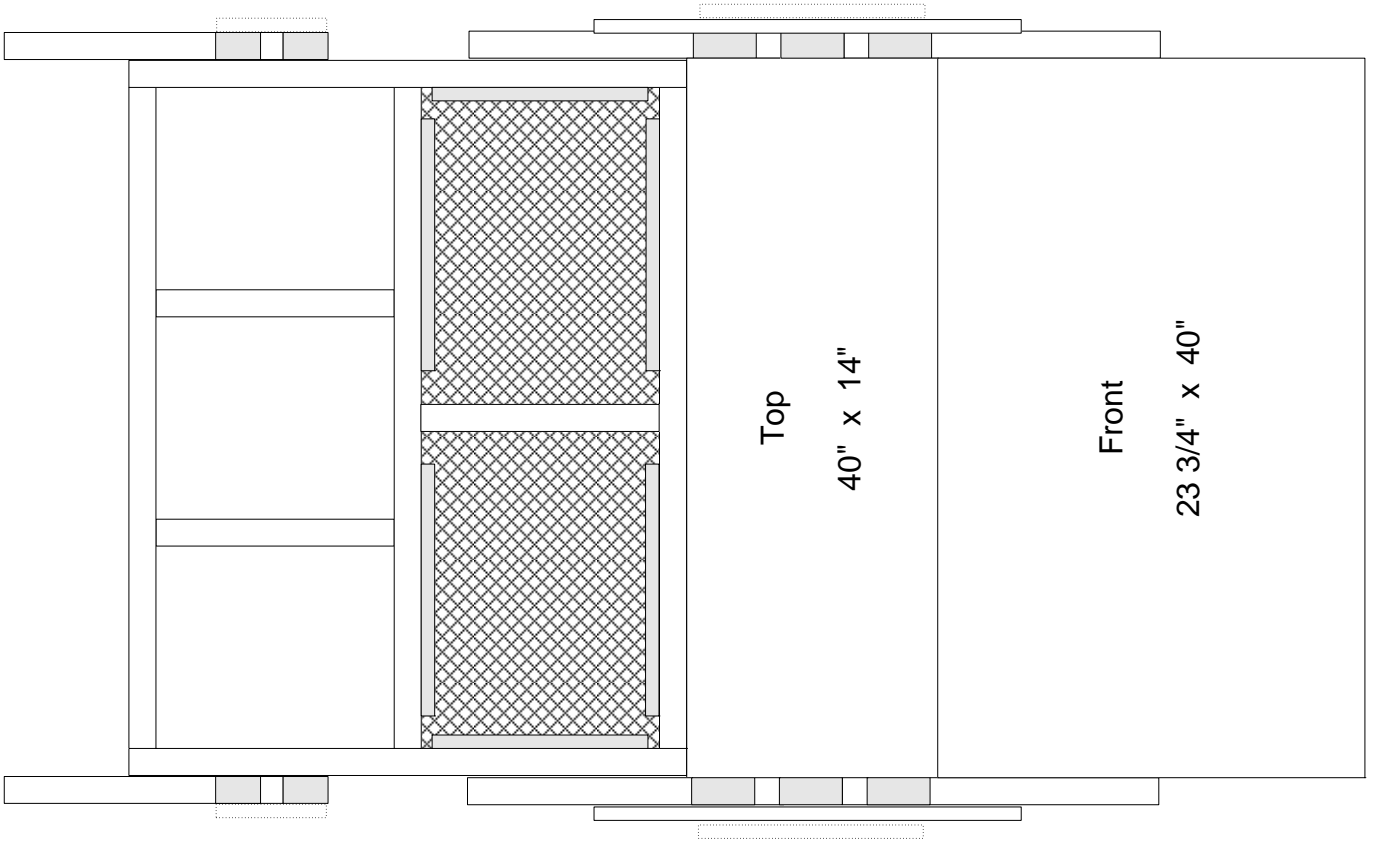


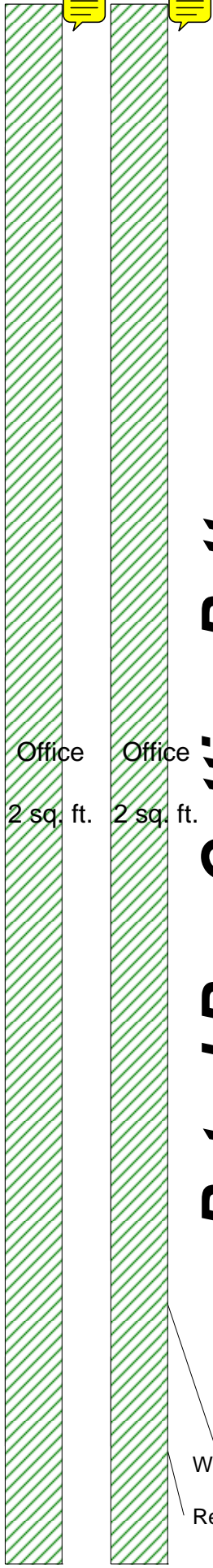
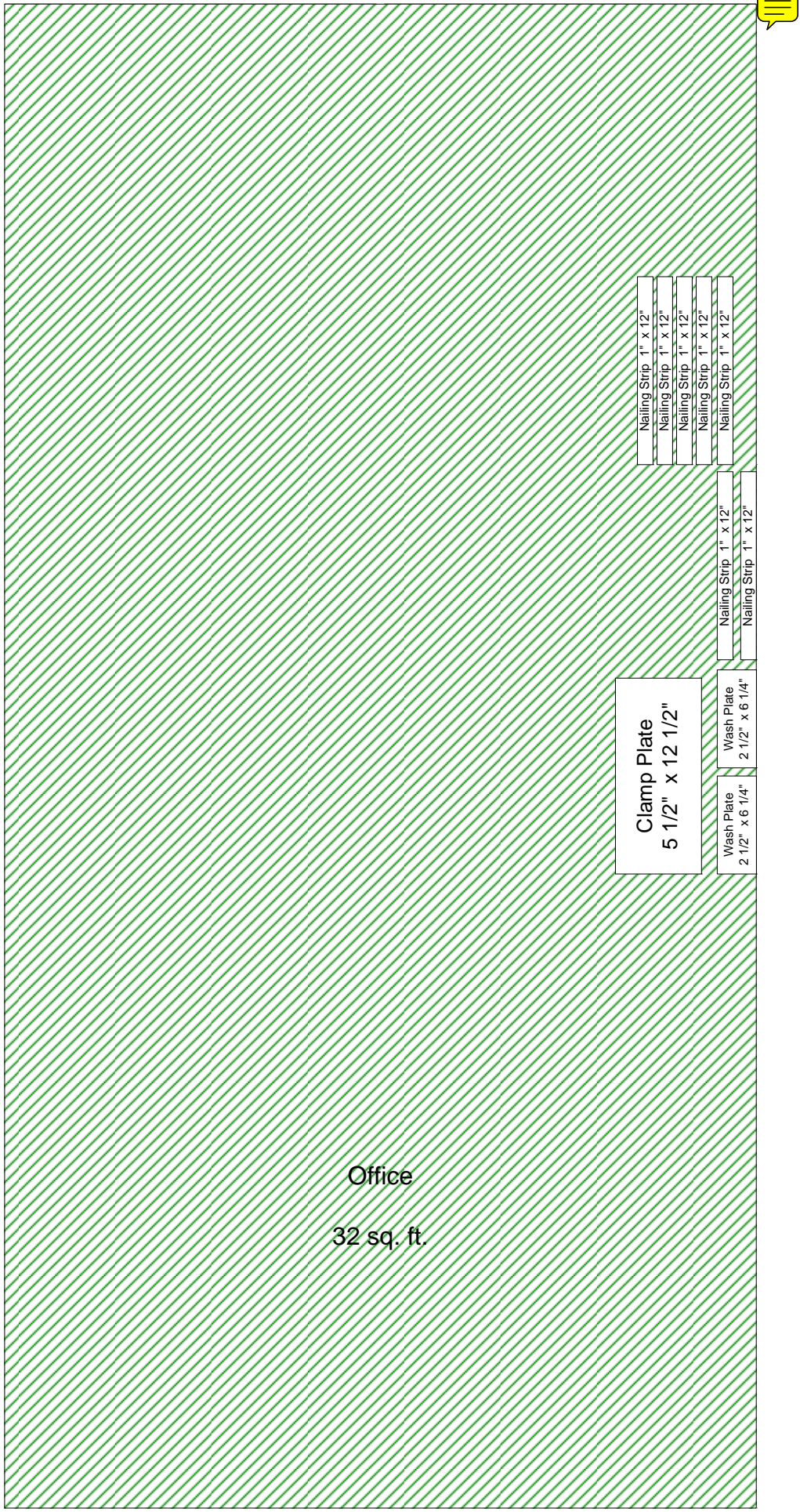
Patrol Box Assembly Instructions

1. Screw Left Side and Right Side to the Bottom. The Side pieces are flush with the bottom surface of the Bottom piece. Glue and screw/nail a Nailing Strip at the angle between the Bottom and each Side.
2. Screw the Back to the Side pieces and the Bottom piece. Glue and screw/nail a Nailing Strip at the angle between the Bottom and the Back.
3. Locate the Shelf at the desired height within the box. Mark the height of the bottom of the Shelf on each Side and the Back, then glue and screw/nail a Nailing Strip on each Side and the Back.
4. Lay the Shelf on the Nailing Strips and screw the Shelf to the Sides and the Back.
5. Screw the Top to the Sides and the Back. Glue and screw/nail Nailing Strips at the angle between the Sides and the Top.
6. Fasten a Heavy Duty Piano Hinge to the top horizontal surface on the Bottom piece. Fasten the broad surface (not the 3/4" end edge) of the Front to the Heavy Duty Piano Hinge.
7. Fasten a chain from each Side piece to the Front piece to support the Front in a horizontal position.
8. Install a Hasp Set on the Front and Top pieces.
9. Drill two holes on each Side piece to accommodate a rope handle. Alternatively, install a metal handle on each Side piece.
10. Fasten one Rectangular Block and two Wedge Blocks to each Side piece. Fasten the Clamp Plate over the Wedge/Rectangular Blocks. Note: See detail on proper position of blocks and Clamp Plates.

Wash Stand Attachment Assembly Instructions

1. Cut frame pieces from 2" x 3" stock and assemble according to diagram using wood screws.
2. Shape Wire Screen to fit into the 13 1/4" x 36 3/4" opening. Bend sides down evenly all around the Screen. Clip excess away so that the Screen fits neatly over the 2" x 3" center support piece.
3. Insert the Screen from the top. Flip the assembly over and make sure that the Screen is flush with the top of the assembly.
4. Using wood screws, attach the 1" x 2" Support Strips over the Screen, securing the Screen to the assembly.
5. Install the Wedge Blocks, Square Blocks, and Wash Plates in the same manner as the Patrol Box.
6. Attach the Hinge2 to the exterior vertical surface of the assembly. Lay the Wash Stand Attachment and the Patrol Box flat on the ground and position the Wash Stand Attachment flush with the back of the Patrol Box. Mark the hinge location on the Patrol Box, then fasten the Piano Hinge to the back of the Patrol Box.
7. Fasten hooks and rings to the Patrol Box and Wash Stand Attachment to support the Wash Stand Attachment in the vertical position.



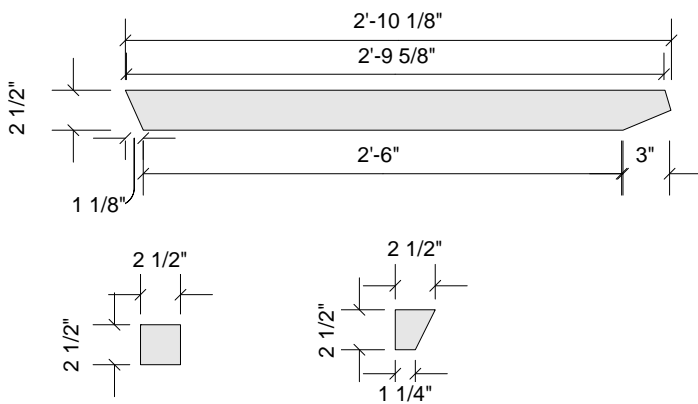
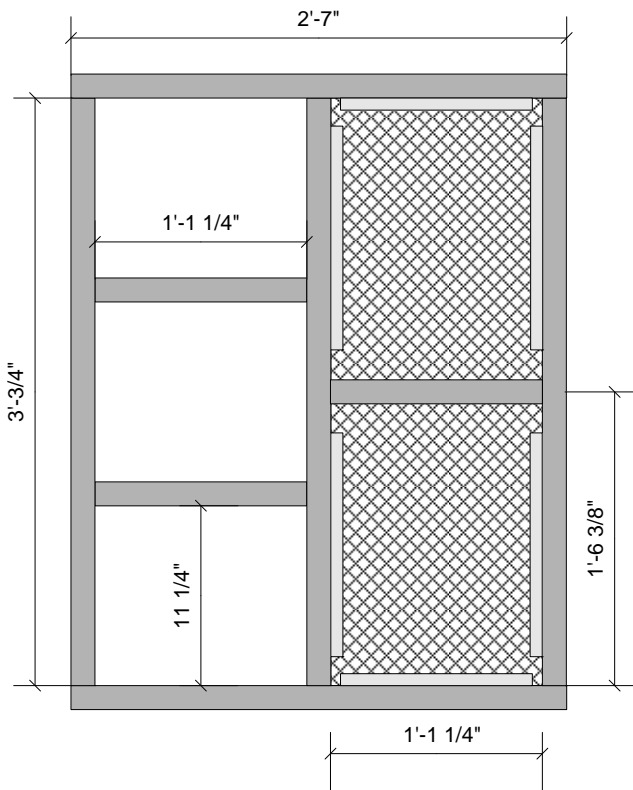


Patrol Box Cutting Patterns

Wedge Block
Rectangular Block

Note: Wash Plates are used for Leg Assembly on optional Pot Wash attachment.

Wash Stand Attachment Basic Design & Cutting Patterns



Materials List

Four (4) 2" x 3" x 7'

One (1) 1" x 2" x 7'

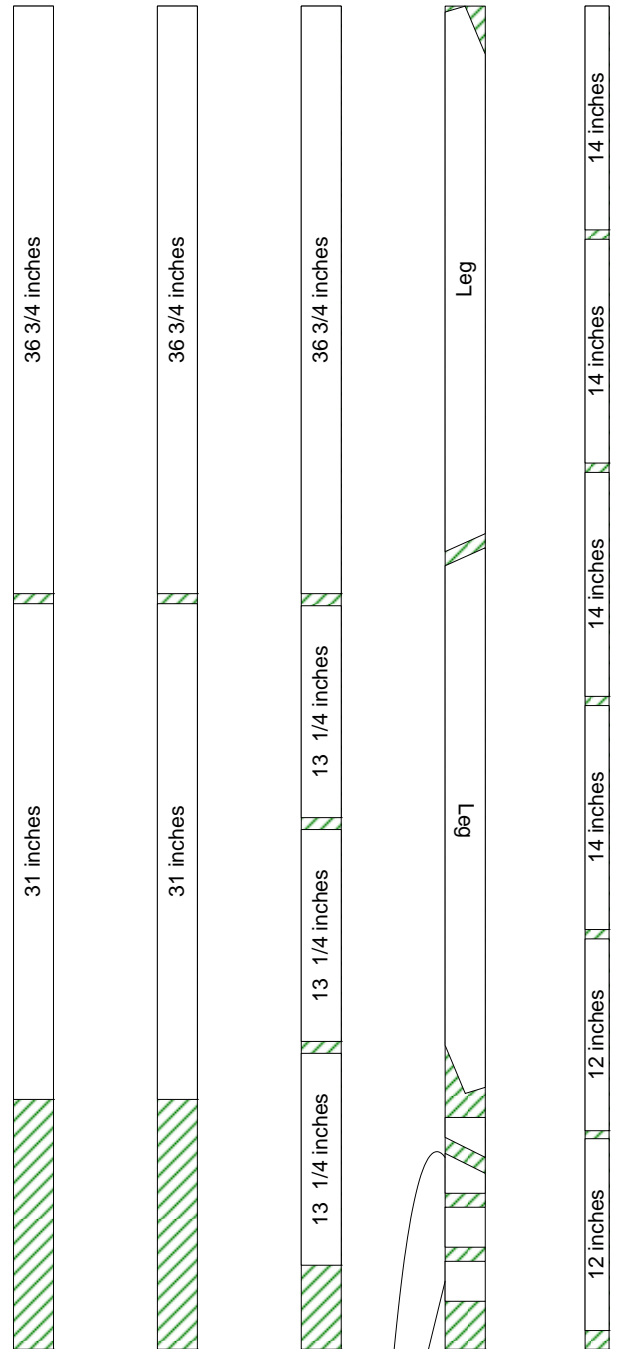
Scrap Plywood - Two (2) 6-1/2" x 2-1/2" x 1/4"

Three (3) 2-1/2" Removable Pin Hinges

Two (2) Hook & Eye Combination

16" x 40" Heavy Duty Wire Screen

Wood Screws



Wedge Blocks

Square Blocks

Wash Stand design by Bill Dunn,
Scoutmaster, Jamboree 2001 Troop 239,
Suffolk County Council, NY
scouter@wtrfrd.com

Patrol Box Materials List and Assembly Aids

Materials List:

One (1) Sheet 3/4" Exterior Plywood

Two (2) 2" x 4" x 8'

One (1) Heavy Duty Piano Hinge

One (1) Hasp Set

Four (4) 3 1/2" x 1/4" Bolts

Four (4) 3" x 1/4" Bolts

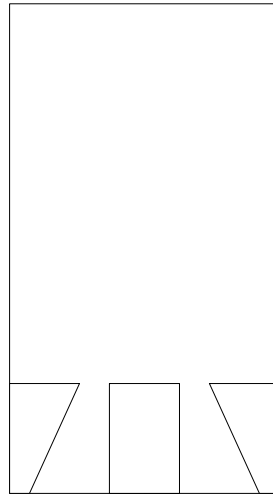
Eight (8) 1/4" Flat Washers

Eight (8) 1/4" Wing Nuts

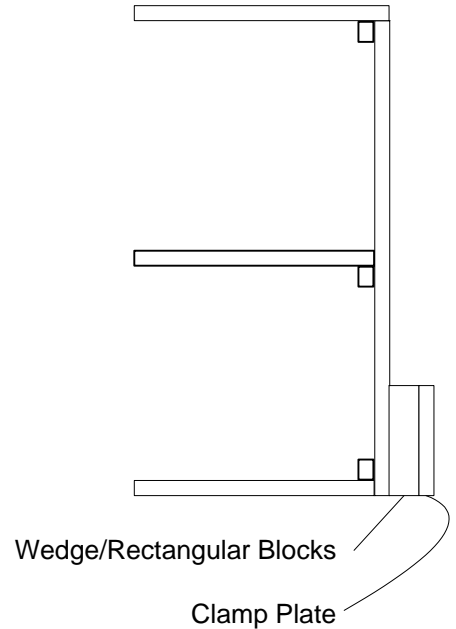
Chain for Drop Front

Rope for Handles

Mica for Interior (Optional)

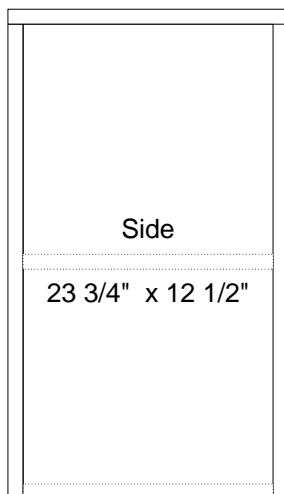
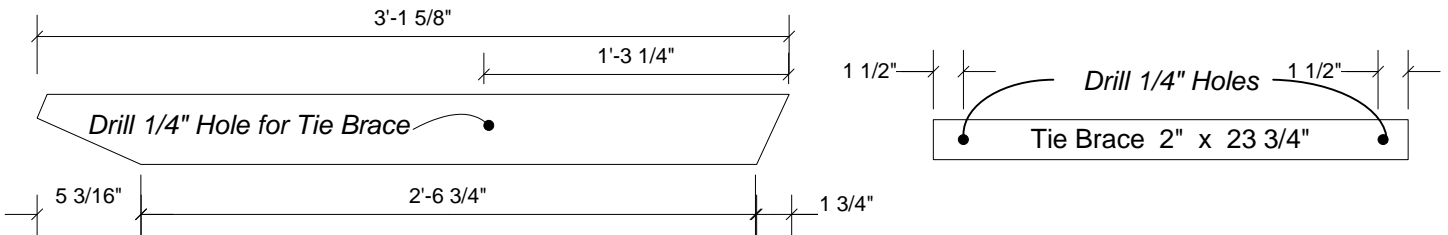


Clamp Plate
5 1/2" x 12 1/2"



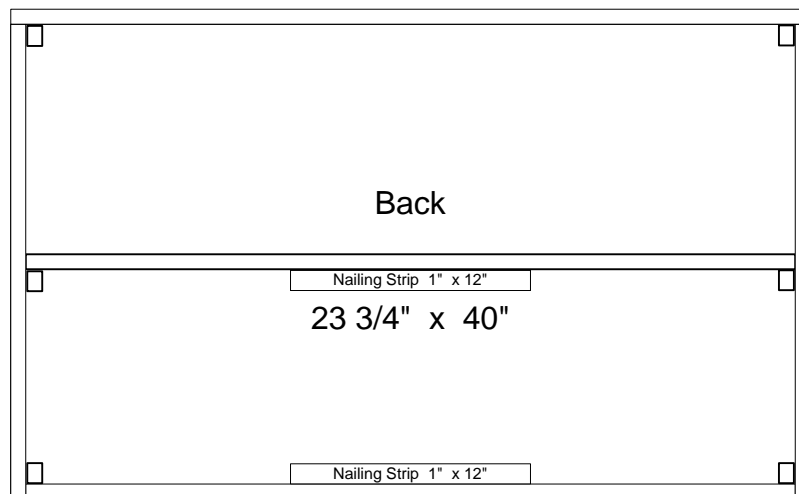
Wedge/Rectangular Blocks

Clamp Plate



Side

23 3/4" x 12 1/2"

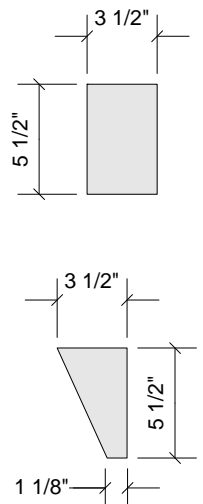


Back

Nailing Strip 1" x 12"

23 3/4" x 40"

Nailing Strip 1" x 12"



5 1/2"

3 1/2"

3 1/2"

5 1/2"

1 1/8"